

Technical data**Dimensions**

Height	85.0	cm
Width	59.5	cm
Depth	51.0	cm

Weight

without packing	72	kg
-----------------	----	----

Main connection

Voltage	230	V
Frequency	50	Hz
Power consumption	2.3	kW
Fuse rating	10	A

Drum

Volume	42	l
Wash spin	54	rpm
Speed spinning max.	500	rpm

Capacity of dry laundry

Cotton/coloured laundry	4.5	kg
Easy care	2.0	kg
Delicate	1.5	kg
Wool	1	kg

Pressostat**Quantity of water washing**

Cotton/coloured laundry	6	l
Easy care	6	l
Delicate	16.5	l
Wool	16.5	l
Overflow	30	l

Quantity of water rinse

Cotton/coloured laundry	16	l
Easy care	16	l
Delicate	16	l
Wool	16	l
Overflow	30	l

Nominal current

Contacts:		
11 - 12	4 (4)	A
11 - 14	16 (4)	A
11 - 16	1 (1)	A

Contacts system:	
11-12-14	jump contacts
11 - 16	slow action contacts

Door lock

Lock time	3" - 6"	(20°C)
Unlock time	60" - 90"	
Nominal voltage	230	V
Nominal current contact	4 - 5	16 (4) A

Heating element

Kind of heating	Tubular heating element with fuses	
Nominal voltage	230	V
Nominal power	2050	W
Heat conductor resistance	24.1	Ω

Inlet valve

Water temperature max.	60	°C
Rated flow	< 1 bar	8 l/min.
Pressure range	0.5-10	bar
Nominal voltage	220-240V	
Frequency	50	Hz
Starting voltage	< 6 bar	160 V
	6-10 bar	170 V
Nominal current	35	mA
Nominal power	6	VA
Nominal resistor(20°C)	4060	Ω

Drain pump (synchronous)

Nominal voltage	230	V
Nominal current	0.3	A
Nominal consumption	34	W
Frequency	50	Hz
Resistor (coil)	162	Ω ±7%
Motor protection	no	
capacity (1.25m height)	14	l/min. ±2

Technical data**Program timer**

Typ	Electromechanical timer with time system	
Fab.	EC 4522 (Timer 1 a)	
Nominal voltage	230	V
Frequency	50	Hz
Total positions	60	

Cotton/coloured laundry

Pre wash	pos.	01 - 05
Main wash	pos.	06 - 19
Rinse	pos.	20 - 32
Spin	pos.	33 - 36
Stop	pos.	37

Easy care

Pre wash	pos.	01 - 05
Main wash	pos.	06 - 19
Rinse	pos.	20 - 32
Spin	pos.	33 - 36
Stop	pos.	37

Delicate

Pre wash	pos.	-
Main wash	pos.	38 - 46
Rinse	pos.	47 - 55
Spin	pos.	56 - 59
Stop	pos.	60

Wool

Pre wash	pos.	-
Main wash	pos.	40 - 46
Rinse	pos.	47 - 55
Spin	pos.	56 - 59
Stop	pos.	60

Output

motor		
- reversing	A2-D12/C12	230 V
- spin	A2-D11	230 V
pump	A4-B2	230 V
doorlock	A8-B12	230 V
pressostat	A4-B3	230 V
- empty	A4-B4	230 V
- full	A4-C3	230 V
valve	B2-B8	>170 V

Motor

Typ	2/16 - 158/ Wh		
	i = 1 : 7.9		
Resistance contacts			
	1 - 2	80	$\Omega \pm 7\%$
	1 - 3	41	$\Omega \pm 7\%$
	1 - 4	80	$\Omega \pm 7\%$
	1 - 5	175	$\Omega \pm 7\%$
	2 - 4	94	$\Omega \pm 7\%$

Radio interference supression

Condenser Friburg	Typ	FA 26
Nominal voltage	230	V
Nominal capacity	100nFX1+2x0.22nFY	
Nominal resistance	1.00	M Ω

Motor capacitor

Capacity	16	μF
Nominal voltage	450	V

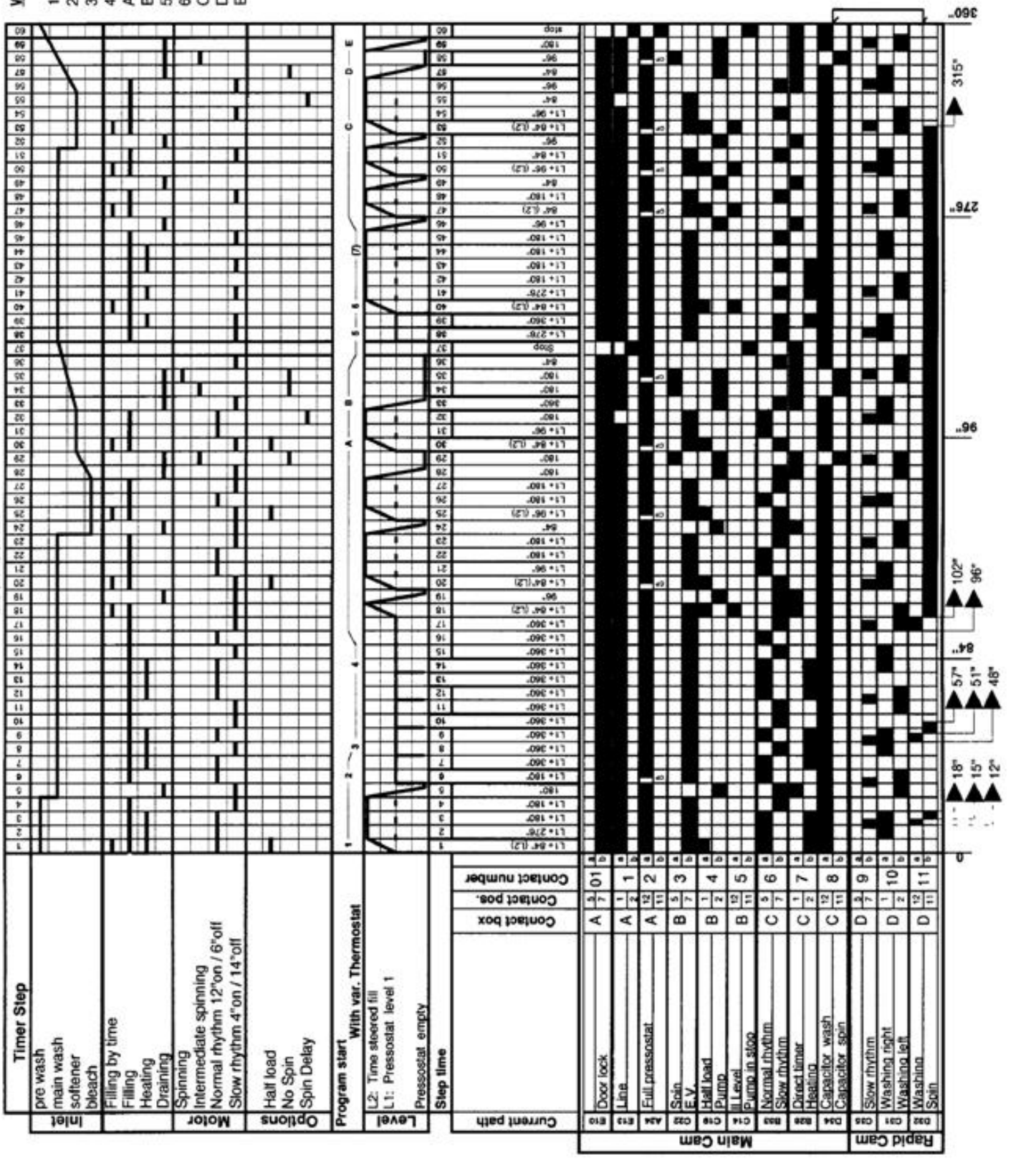
Variable thermostat

Nominal voltage	230	V
Nominal current	16 (4)	A
Temperature range	28-80	$^{\circ}\text{C}$

Push botton switch

Start stop	SM
1/2 load	SHL
Rinse hold	SRS
No spin	SNS

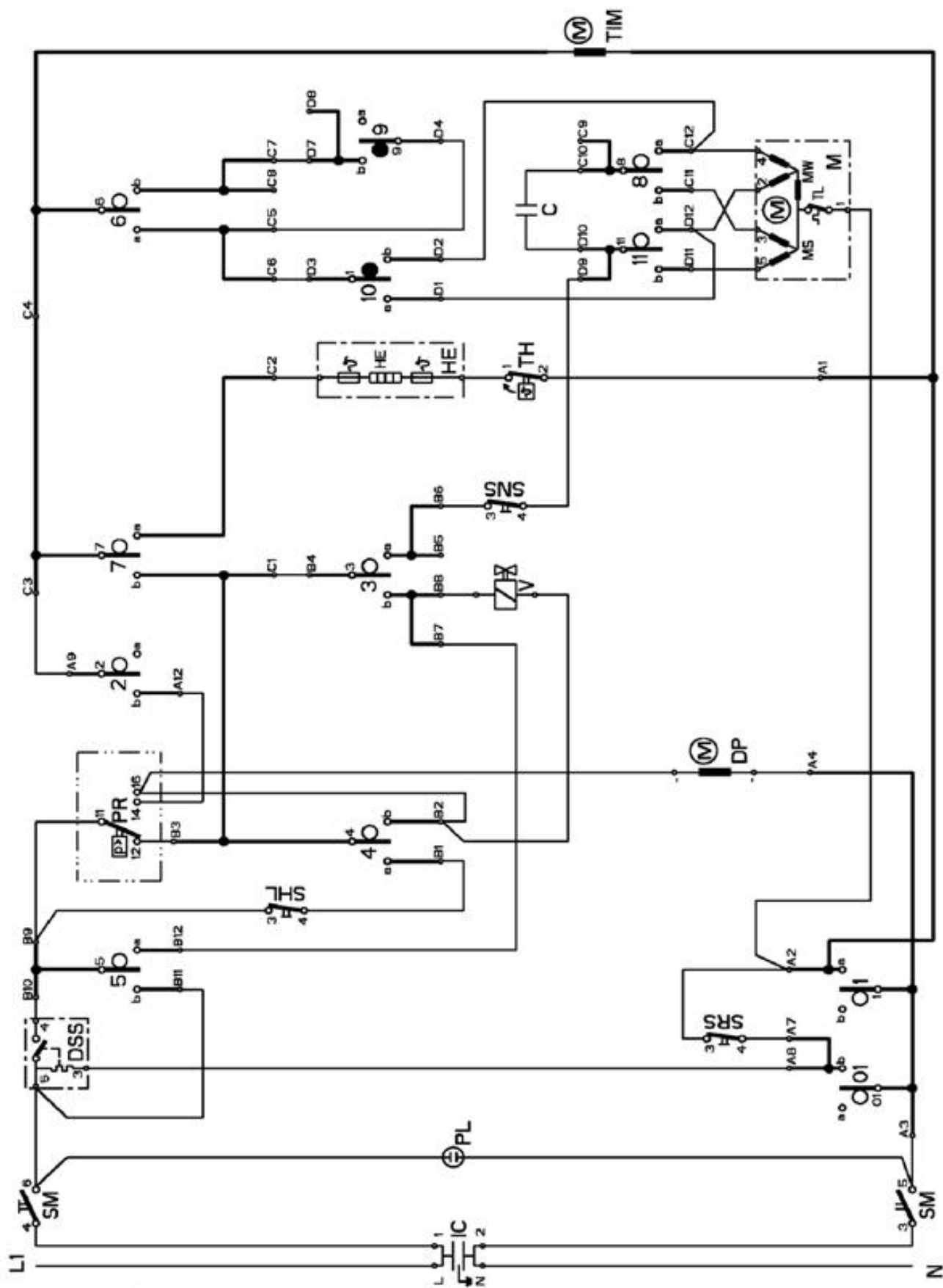
230V 50Hz.



With variable temperature

- 1 Cotton with prewash (Cold - 40 - 60 - 95°C)
- 2 Cotton without prewash (Cold - 40 - 60 - 95°C)
- 3 Easy Care (Cold - 40 - 60°C)
- 4 Cotton (Cold - 40°C) - SHORT
- A Rinse + Spin
- B Spin
- 5 Delicate 40°C
- 6 Wool 30°C
- C Rinse + Gentle Spin
- D Gentle Spin
- E Draining

Circuit diagram



- C capacitor
- DP drain pump
- DSS door safety switch
- HE heating element
- IC interference capacitor
- M motor drive
- PL pilot lamp
- PR pressostat
- SH-L switch, half load
- SM switch, mains
- SNS switch, no spin
- SRS switch, rinse stop
- TH thermostat, variable
- TI timer
- TIM timer motor
- V valve

Wiring diagram

